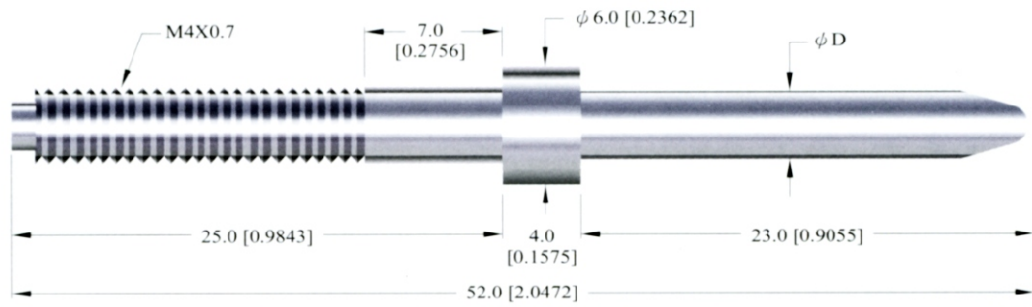
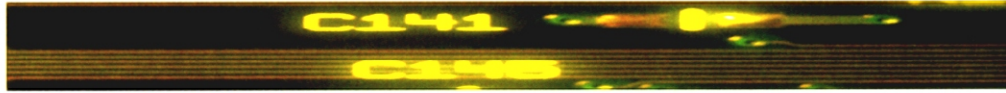


HGL



**Material: Copper
For Loaded Board**

Model.	ϕD
GL-1S	$\phi 1.95$ [0.0768]
GL-2S	$\phi 2.45$ [0.0965]
GL-3S	$\phi 2.95$ [0.1161]
GL-4S	$\phi 3.15$ [0.1240]
GL-5S	$\phi 3.45$ [0.1358]
GL-6S	$\phi 3.75$ [0.1476]
GL-7S	$\phi 3.85$ [0.1516]
GL-8S	$\phi 3.95$ [0.1555]
GL-9S	$\phi 4.45$ [0.1752]
GL-10S	$\phi 4.95$ [0.1949]
GL-11S	$\phi 5.95$ [0.2343]
GL-12S	$\phi 3.25$ [0.1280]
GL-13S	$\phi 3.35$ [0.1319]
GL-14S	$\phi 2.35$ [0.0925]
GL-15S	$\phi 2.75$ [0.1083]
GL-16S	$\phi 2.85$ [0.1122]